

WATER JET CUTTING

mvt AG offers a comprehensive, economically-priced range of diamond nozzles for the most varied of applications in the field of water jet cutting. All of our nozzles consist of a stainless steel nozzle body with a diamond orifice. Their special design gives them a high degree of stability and safety. Special designs and customer-specific solutions are available on request.

PROPERTIES AND ADVANTAGES

- ▶ Long lifetime
- ▶ Consistent jet quality
- ▶ Precision cutting accuracy
- ▶ Narrow cut width
- ▶ High cutting performance
- ▶ Longer lifetime of focusing tube
- ▶ Excellent price-to-performance ratio
- ▶ Swiss quality

CUSTOMER BENEFITS

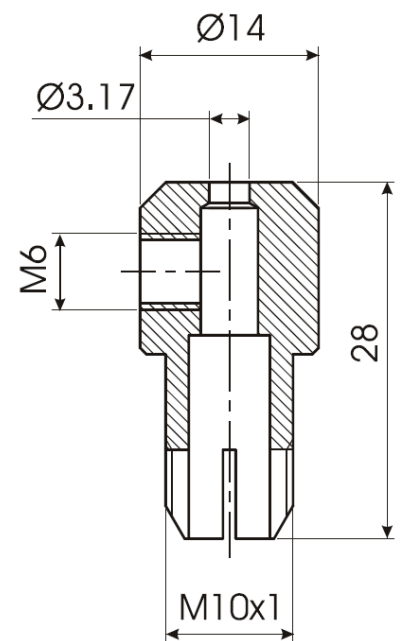
- ▶ High productivity
- ▶ Minimal downtime
- ▶ Cost-effective manufacturing
- ▶ High quality standard
- ▶ Expert advice
- ▶ Reliable service

APPLICATIONS

Metal, titanium, aluminium, stone, marble, granite, ceramics, rock wool, reinforced concrete, plaster, laminated glass, safety glass, wood, plastics, bullet-proof glass, composites, automotive and aircraft parts, etc.

Mixing chamber Type 701

Max. 4000 bar



Sapphire nozzle corresponding to mixing chamber Typ 701

Typ 256	Typ 258	Typ 280	Typ 290	Typ 1256	Typ 1258	Typ 1259
---------	---------	---------	---------	----------	----------	----------

The mixing chamber Type 701 fits onto the abrasive cutting Type 542 und Type 543.