

**WATER JET CUTTING**

MVT launched the first auto-aligned abrasive cutting head back in 1993. This innovative concept, combines a limited number of assembled components with precision machining. Although it inspired other companies to copy the idea, it is still the abrasive head of the field in terms of price/performance ratio.

The MVT abrasive head keeps the water jet and the focusing nozzle constantly aligned without the need for any further adjustment. When the focusing nozzle or mixing chamber plus integrated sapphire nozzle is changed, no readjustment is necessary yet the jet remains perfectly aligned – benefits much appreciated in a production environment.

The original design and geometry of the mixing chamber for the MVT cutting head ensure optimal cutting performance and is intended for pressures of up to 4000 bar. This head can be mounted on every current make of machine – and that includes yours!

**PROPERTIES AND ADVANTAGES**

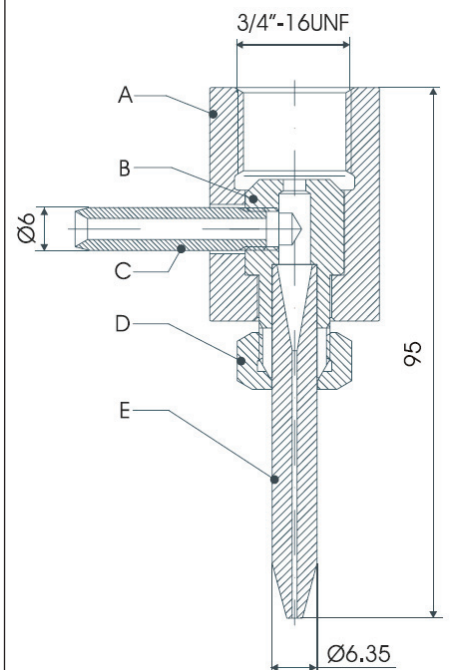
- ▶ User-friendly
- ▶ Reliable
- ▶ Efficiently
- ▶ Precise
- ▶ Uses less abrasive
- ▶ Shortens focusing nozzle changeover times
- ▶ Excellent price/performance ratio
- ▶ Ever-growing number of satisfied users

**APPLICATIONS**

metal, titanium, aluminium, stone, marble, granite, ceramics, reinforce concrete, plaster, rock wool, laminated glass, safety glass, bullet-proof glass, wood, plastics, composites, automotive and aircraft parts, etc

Max. 4000 bar

Without focusing tube



Saphirnozzles corresponding to Mixing chamber Type 701						
Typ 256	Typ 258	Typ 280	Typ 290	Typ 1256	Typ 1258	Typ 1259

**SPARE PARTS**

A	B	C	D	E
Nozzle-holder Order. no.	Mixing chamber Order. no.	Abrasives union Order. no.	Nut Order. no.	Focusing tube Order. no.
540.01.01	Typ 701	660.01.00	640.01.00	Duralife D

Other jet diameters: See under Mixing chamber type 701  
Other focusing tube: See under focusing tube - Duralife D

**Abrasive cutting heads Type 542**  
Order. no. 542.01.00

Delivery		
Stk.	Artikel	Order. no.
1	Nozzle-holder	540.01.01
1	Mixing chamber	Typ 701
1	Abrasives Union	660.01.00
1	Nut	640.01.00